

# Conveyor system F45

F45

FT

FS

FL

F65

FM

F85

FH

FK

FB140

FB175

FB295

SPIRAL

FW

FLX

FMX

FHX

FBX175

FBX295

ACC

CA

PAL

FC

TOOL

IDX

Contents

Chains 3

Conveyor beam 4

End drive units 7

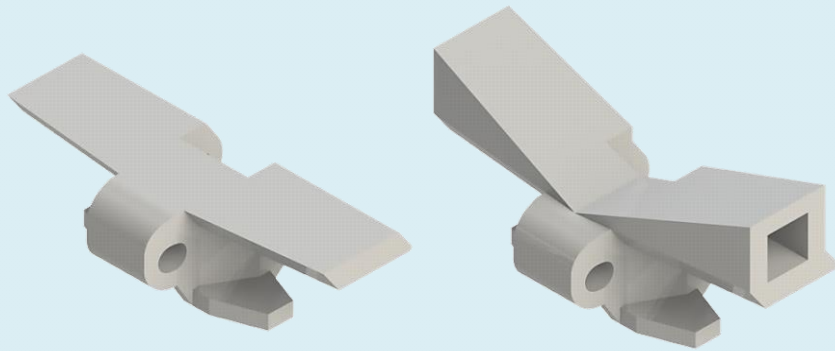
Idler unit 8

Intermediate drive unit 9

Horizontal plain bends 10

Vertical bends 11

# Chains



# Chains

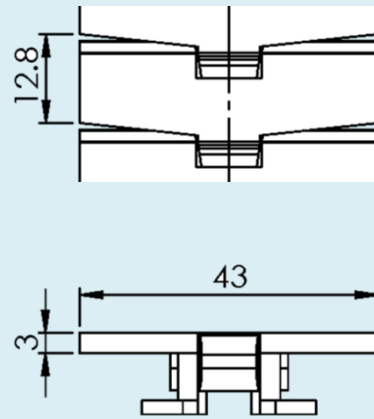
F45

**FUTP 3A45**

Plain chain  
Length 3 mt

**F5111693**

Plain link



FT

FS

FL

F65

FM

F85

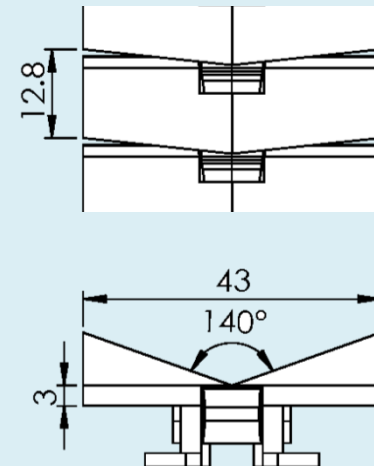
FH

FK

FB140

**FUTP 3A45V**

Cleated chain  
Length 3 mt



FB175

FB295

SPIRAL

FW

FLX

FMX

FHX

FBX175

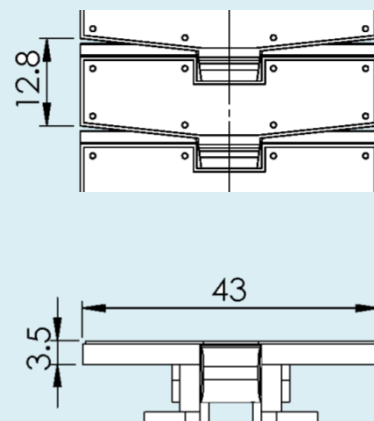
FBX295

**FUTP 3A45F**

Friction top chain  
Length 3 mt

**F5113308**

Friction top link



ACC

CA

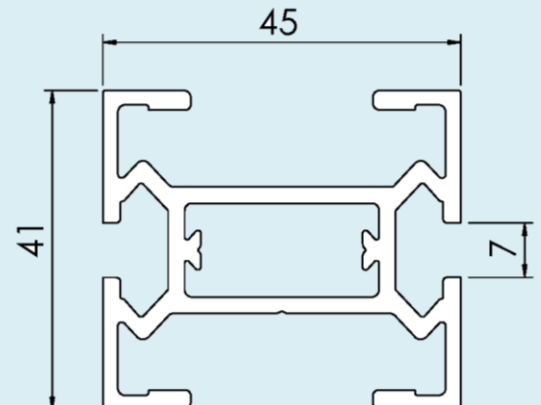
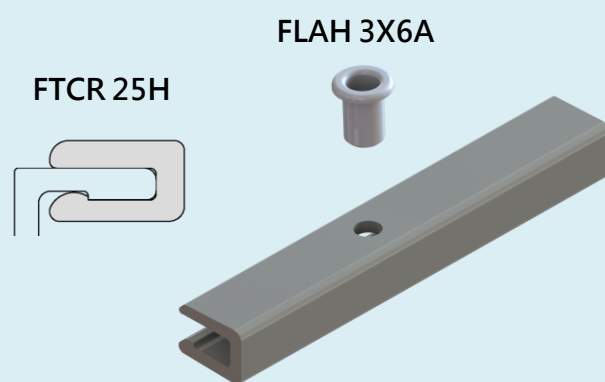
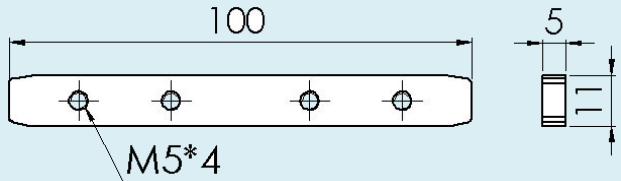
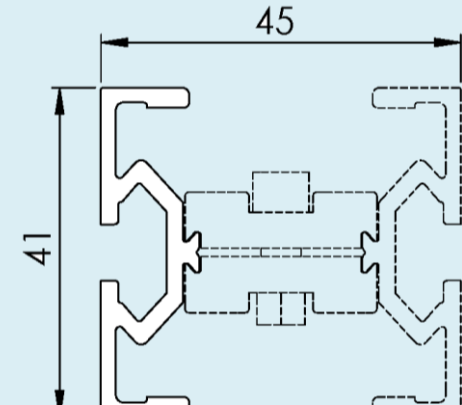
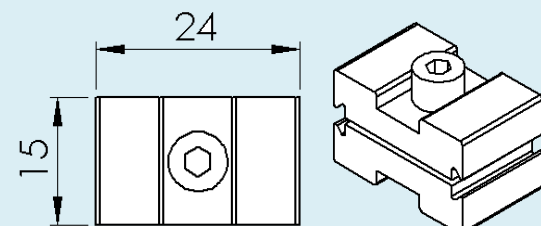
PAL

FC

TOOL

IDX

# Conveyor beam

<p>Beam</p> <p><b>FUCB 3</b>                      Length 3 mt</p>	
<p>Slide rail</p> <p>Length 25 mt</p> <p><b>FTCR 25H</b>                      Polyethylene HDPE+PA6 Gray</p> <p><b>FLCR 25U</b>                      UHMW White</p> <p><b>FLAH 3X6A</b>                      Aluminium rivet</p>	
<p>Connecting strip with set screws</p> <p><b>FUCJ 5X100</b>                      Length 100</p>	
<p>Half beam</p> <p><b>FUCB 3H</b>                      Length 3 m</p>	
<p>Beam clip</p> <p><b>FUCE 25X14</b></p> <p>Including M6 screw and locking nut.</p>	

# Conveyor beam

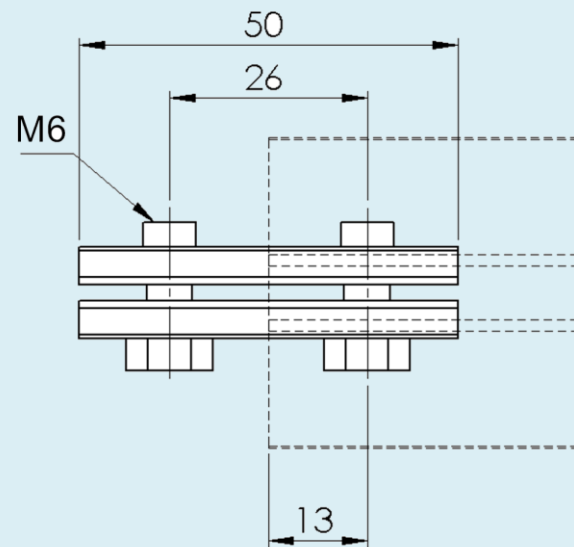
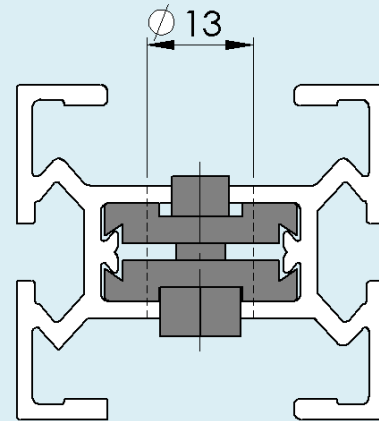
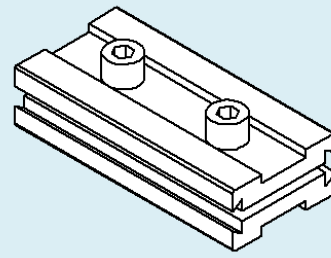
F45

Connecting strip kit

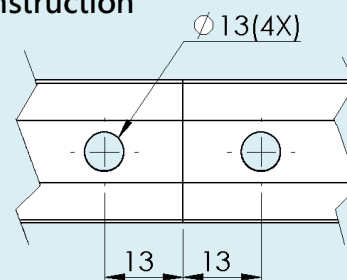
**FUCJ 50**

Connecting strip kit  
Aluminium

Including M6 screws.



Drill instruction



FT

FS

FL

F65

FM

F85

FH

FK

FB140

FB175

FB295

SPIRAL

FW

FLX

FMX

FHX

FBX175

FBX295

ACC

CA

PAL

FC

TOOL

IDX

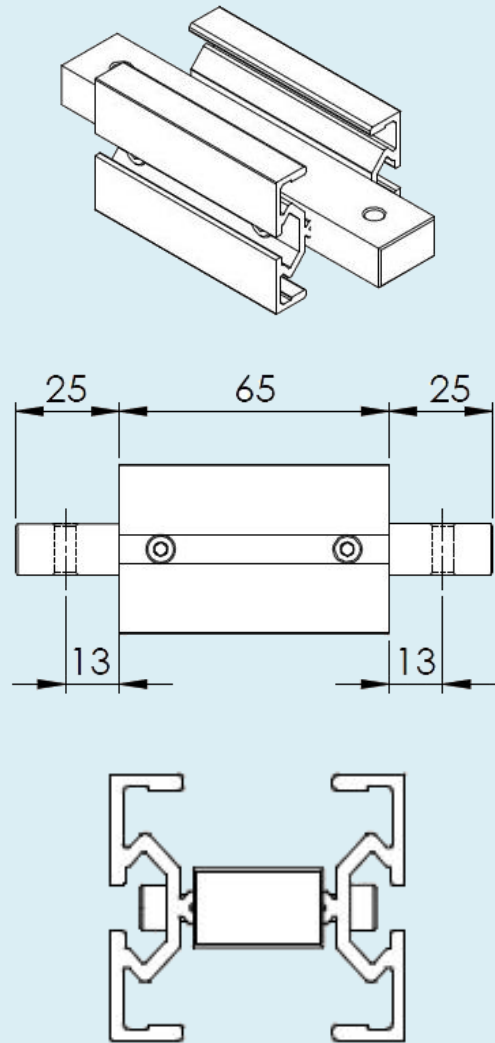
# Conveyor beam

Beam section for chain installation

## FUCC 65

Beam section kit

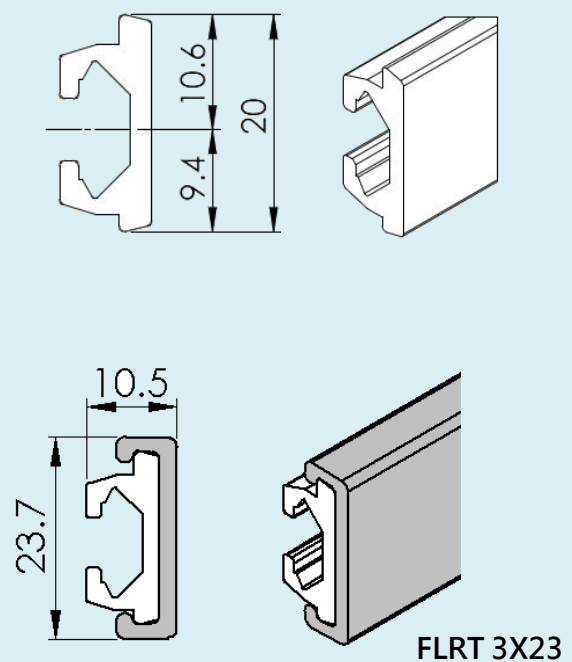
*Including connection strips and screws*



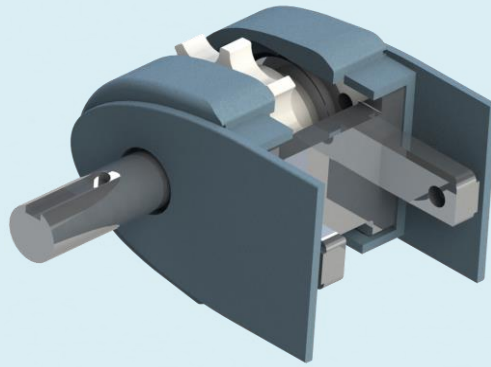
Guide rail, aluminium

## FURS 3X8

Length 3 mt

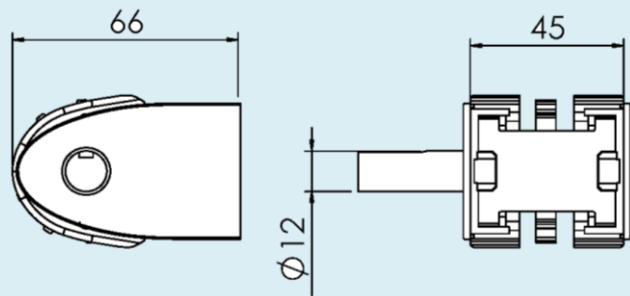


# End drive unit



**FUEB 0 LU/RU**

Drive unit  
Transmission on  
left/right hand side



F45

FT

FS

FL

F65

FM

F85

FH

FK

FB140

FB175

FB295

SPIRAL

FW

FLX

FMX

FHX

FBX175

FBX295

ACC

CA

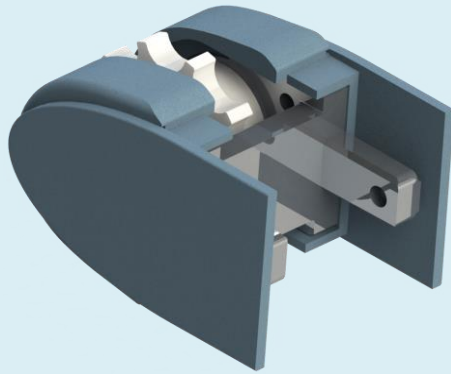
PAL

FC

TOOL

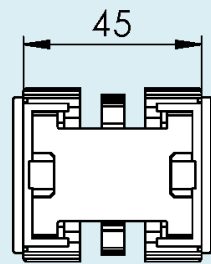
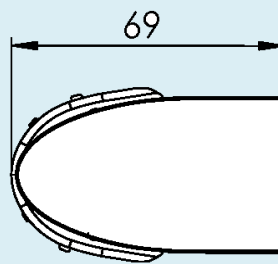
IDX

# Idler end unit



**FUEJ 50**

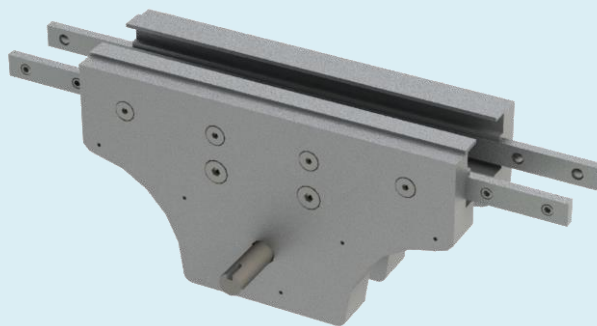
Idler end unit





# Intermediate drive unit

F45



FT

FS

FL

F65

FM

F85

FH

FK

FB140

FB175

FB295

SPIRAL

FW

FLX

FMX

FHX

FBX175

FBX295

ACC

CA

PAL

FC

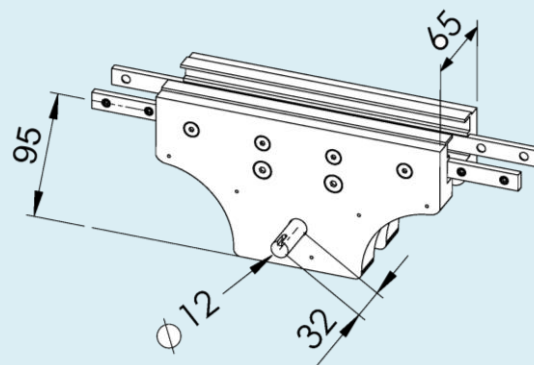
TOOL

IDX

**FUER 0U**

Basic unit

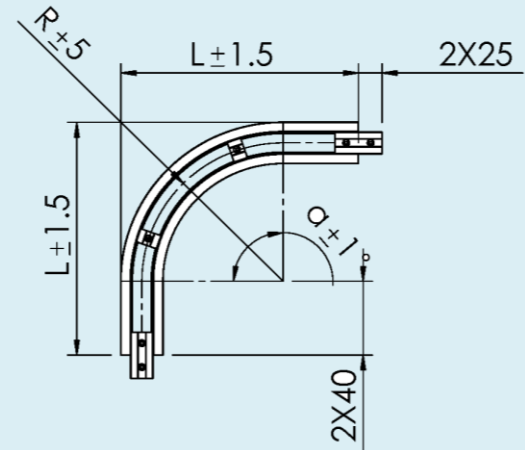
Effective track length: 0.45m  
Height 90 mm to center T-slot



# Horizontal plain bends

Item	Angle(a)	Radius(R)	Length(L)
FUBP 30R150	30°	150 ±5	160
FUBP 45R150	45°	150 ±5	190
FUBP 90R150	90°	150 ±5	212
FUBP 180R150	180°	150 ±5	212

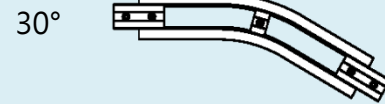
Item	Angle(a)	Radius(R)	Length(L)
FUBP 30R210	30°	210 ±5	190
FUBP 45R210	45°	210 ±5	232
FUBP 90R210	90°	210 ±5	272
FUBP 180R210	180°	210 ±5	272



## FUBP 30R150

## FUBP 30R210

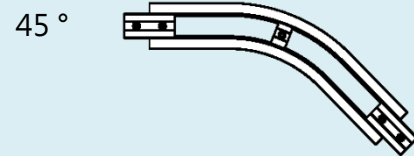
Horizontal plain bend, 30°



## FUBP 45R150

## FUBP 45R210

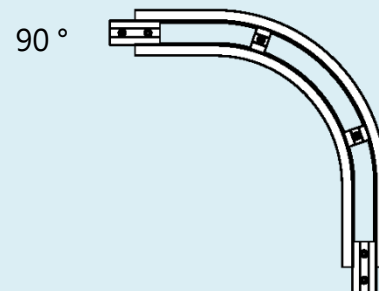
Horizontal plain bend, 45°



## FUBP 90R150

## FUBP 90R210

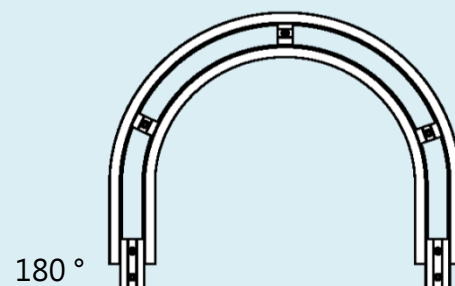
Horizontal plain bend, 90°



## FUBP 180R150

## FUBP 180R210

Horizontal plain bend, 180°



# Vertical bends

F45

FT

FS

FL

F65

FM

F85

FH

FK

FB140

FB175

FB295

SPIRAL

FW

FLX

FMX

FHX

FBX175

FBX295

ACC

CA

PAL

FC

TOOL

IDX



## FUBV 5R400

Vertical bend, 5°

R=400mm, L=116.5mm, a=5°

## FUBV 15R400

Vertical bend, 15°

R=400mm, L=187mm, a=15°

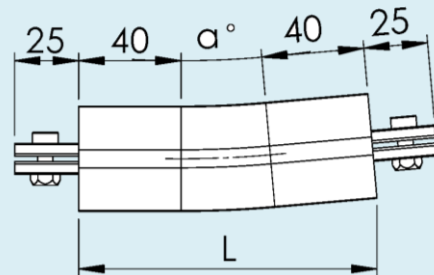
Effective track lengths:

a=5° R400 :

0.20m 1-way (0.40m 2-way)

a=15° R400 :

0.26m 1-way (0.52m 2-way)



# Conveyor beam

**FFAN 5\*** Steel, zinc-chromated  
**F5056131** M5, Multipack (500 pcs)

**FFNA 6\*** Steel, zinc-chromated  
**F5056130** M6, Multipack (500 pcs)

\*Note. Must be order in multiples of 10

